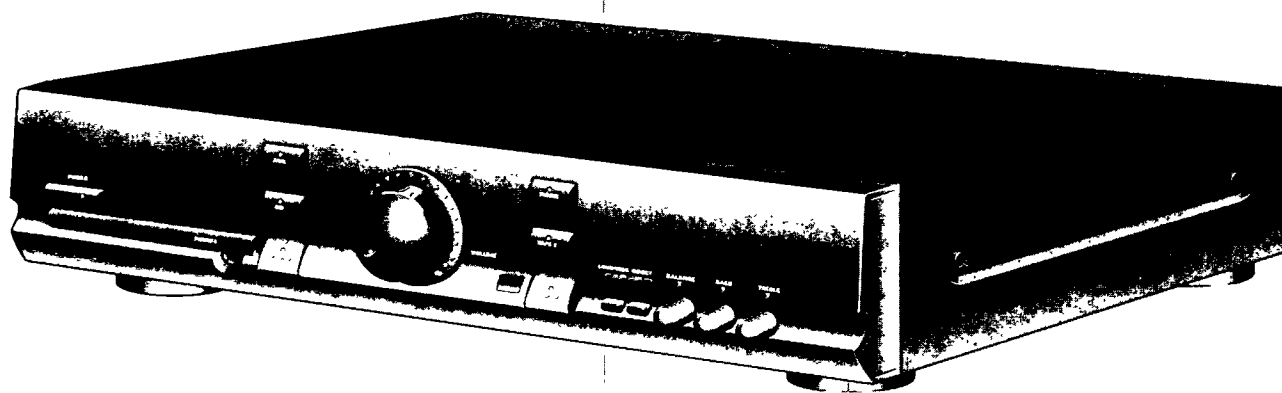


PHILIPS

FA741 Amplifier



Instructions for use
Mode d'emploi
Instrucciones de manejo
Bedienungsanleitung
Gebruiksaanwijzing
Istruzioni per l'uso
Brugsanvisning
Bruksanvisning
Käyttöohje
Manual de utilização



PHILIPS

Important notes for users in the U.K.

Mains plug

This apparatus is fitted with an approved 13 Amp plug. To change a fuse in this type of plug proceed as follows:

- 1 Remove fuse cover and fuse.
- 2 Fix new fuse which should be a BS1362 5 Amp, A.S.T.A. or BSI approved type.
- 3 Refit the fuse cover.

If the fitted plug is not suitable for your socket outlets, it should be cut off and an appropriate plug fitted in its place. If the mains plug contains a fuse, this should have a value of 5 Amp. If a plug without a fuse is used, the fuse at the distribution board should not be greater than 5 Amp.

Note: *The severed plug must be disposed of to avoid a possible shock hazard should it be inserted into a 13 Amp socket elsewhere.*

How to connect a plug

The wires in the mains lead are coloured with the following code: blue = neutral (N), brown = live (L). As these colours may not correspond with the colour markings identifying the terminals in your plug, proceed as follows:

- Connect the blue wire to the terminal marked N or coloured black.
- Connect the brown wire to the terminal marked L or coloured red.
- Do not connect either wire to the earth terminal in the plug, marked E (or \perp) or coloured green (or green and yellow).

Before replacing the plug cover, make certain that the cord grip is clamped over the sheath of the lead - not simply over the two wires.

Copyright in the U.K.

Recording and playback of material may require consent. See Copyright Act 1956 and The Performer's Protection Acts 1958 to 1972.

Italia

DICHIARAZIONE DI CONFORMITA'

Si dichiara che l'amplificatore mod. FA741 Philips risponde alle prescrizioni dell'art. 2 comma 1 del D. M. 28 Agosto 1995 n. 548.

Fatto a Eindhoven, il 11/09/1996

Philips Sound & Vision
Philips, Glaslaan 2, SFF 10
5616 JB Eindhoven, The Netherlands

Norge

Typeskilt finnes på apparatens underside.

For å redusere faren for brann eller elektrisk støt, skal apparatet ikke utsettes for regn eller fuktighet.

Deutschland

Hiermit wird bescheinigt, daß dieses Gerät in Übereinstimmung mit den Bestimmungen der Amtsblattverfügung 1046/1984 funktentstört ist.

Der Deutschen Bundespost wurde das Inverkehrbringen dieses Gerätes angezeigt und die Berechtigung zur Überprüfung der Serie auf Einhaltung der Bestimmungen eingeräumt.

XLR Rear Panel Kit

Thank you for purchasing the XLR520PMD. This product is a kit for use in adding XLR type balanced inputs/outputs to the PMD520.

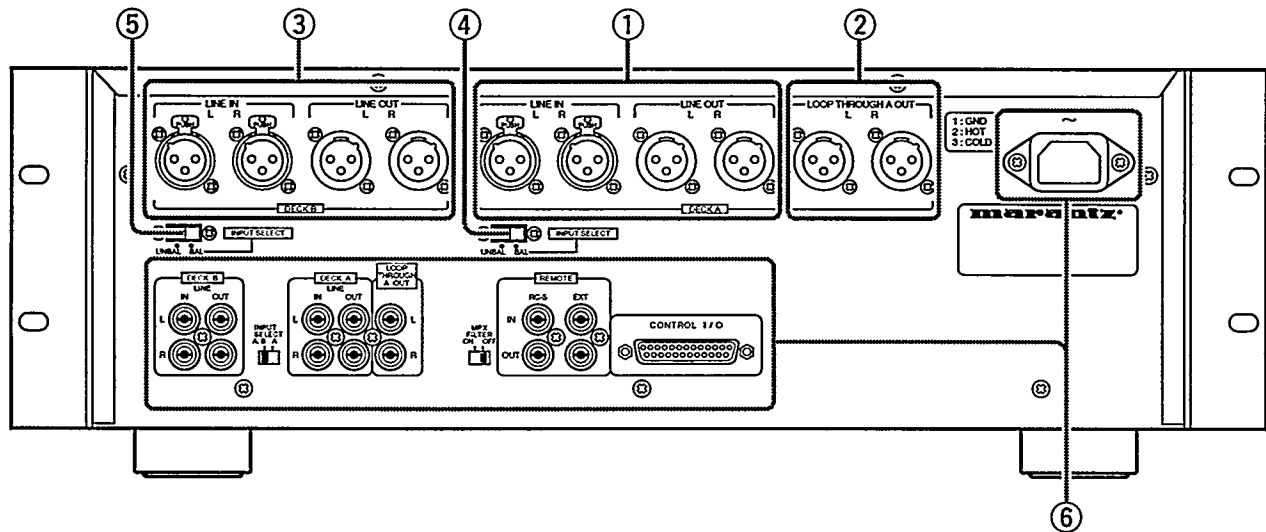
The basic operating procedures of the PMD520 remain the same even after this product has been installed. For details, please refer to the owner's manual of the PMD520.

The following instructions deal with how to use the balanced inputs and outputs.

SAFETY PRECAUTIONS

Please read the safety precautions given in the owner's manual of the PMD520.

CONTROLS AND CONNECTORS



① DECK A LINE IN/OUT connectors

These are the L/R balanced input connectors and L/R balanced output connectors of Deck A.

② LOOP THROUGH A OUT connectors

These connectors output the same signals as those input to Deck A.

③ DECK B LINE IN/OUT connectors

These are the L/R balanced input connectors and L/R balanced output connectors of Deck B.

④ DECK A input selector switch

Switches the input to Deck A between balanced input and unbalanced input. Set to BALANCED to use the XLR inputs and to UNBALANCED to not use the RCA inputs.

NOTE: When this switch is set to BALANCED, do not connect anything to the unbalanced input jacks. Otherwise troubles such as noise may occur.

⑤ DECK B input selector switch

Switches the input to Deck B between balanced input and unbalanced input. Set to BALANCED to use the XLR inputs and to UNBALANCED to use the RCA inputs.

NOTE: When this switch is set to BALANCED, do not connect anything to the unbalanced input jacks. Otherwise troubles such as noise may occur.

⑥ DECK A unbalanced IN/OUT jacks

DECK B unbalanced IN/OUT jacks

Input selector

MPX filter switch

REMOTE jacks

CONTROL I/O connector

AC inlet

Refer to the owner's manual of the PMD520 for details of these controls and connectors.

SPECIFICATIONS

Rated output	+4 dBu
Output impedance	100 Ω
Input sensitivity	+4 dBu
Input impedance	110 k Ω
Max. output level	+18 dBu
Pin assignment	1: GND 2: HOT 3: COLD

Printed in Japan

SERVICING NOTE

Please refer to the warranty card of the PMD520 when servicing is required.

marantz®

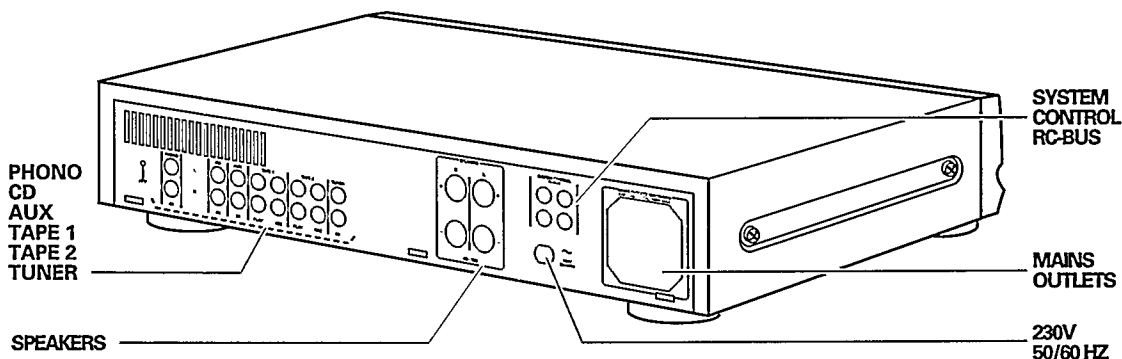
445S865010



English	Installation	4	English
	Operating elements.....	5	
	Operation	6	
	Important information	7	
	Troubleshooting	8	
Français	Installation	9	Français
	Éléments de commande.....	10	
	Fonctionnement	11	
	Ce que vous devez savoir	12	
	Liste de contrôles des incidents	13	
Español	Instalación.....	14	Español
	Elementos de mando	15	
	Manejo	16	
	Particularidades	17	
	Lista de control de fallos	18	
Deutsch	Installation	19	Deutsch
	Bedienelemente	20	
	Bedienung.....	21	
	Wissenswertes	22	
	Fehler-Checkliste	23	
Nederlands	Installatie	24	Nederlands
	Bedieningstoetsen	25	
	Bediening	26	
	Belangrijke informatie.....	27	
	Checklist voor fouten	28	
Italiano	Installazione	29	Italiano
	Elementi di comando	30	
	Impiego	31	
	Informazioni generali	32	
	Lista di controllo.....	33	
Svenska	Installation	34	Svenska
	Kontroller	35	
	Användning.....	36	
	Värt att veta	37	
	Fel-checklista	38	
Dansk	Opstilling.....	39	Dansk
	Betjeningselementer	40	
	Betjening	41	
	Værd at vide	42	
	Fejlfinding	43	
Suomi	Asennus.....	44	Suomi
	Säätimet.....	45	
	Käyttö.....	46	
	Hyvä tietää	47	
	Tarkistusluettelo	48	
Português	Instalação.....	49	Português
	Elementos de operação	50	
	Manejo	51	
	Factos interessantes	52	
	Resolução de problemas.....	53	

INSTALLATION

English



Setting up

If you want to set up your amplifier on a shelf, in a cabinet or any other type of enclosure, always ensure that sufficient ventilation is available. An open space of at least 3 cm at the sides and the top, and 5 cm at the back of the stack is required.

- Place the power supply cable as far as possible from the sound signal lines in order to avoid disturbing signal interference.
- **Important:** Always switch off the amplifier as well as any other connected auxiliary units before connecting or disconnecting connection cables.
- When making connections, always note the identification markings on the cables and sockets, as well as those on the back of the unit, in order to avoid improper connections. Improper connections can considerably impair sound quality.

Connecting programme sources

Before connecting any programme sources, always switch any other connected units off. In addition, note the correct connection of the stereo channels: R: right (red), L: left (white).

- PHONO**Connect your analog record player to the PHONO sockets. If your record player is provided with a separate earth cable, connect the cable to the earthing screw.
- CD**Connect your CD player to the CD sockets.
- AUX**Other signal sources, such as a DSR tuner, TV, etc., can be connected to the AUX sockets.
- TAPE 1**Connect the LINE IN sockets of your cassette deck, tape recorder or DAT recorder to the sockets TAPE 1 OUT. Connect the LINE OUT sockets of your cassette deck, tape recorder or DAT recorder to the sockets TAPE 1 IN.
- TAPE 2**Connect the LINE IN sockets of your DCC or video recorder to the sockets TAPE 2 OUT. Connect the LINE OUT sockets of your DCC or video recorder to the sockets TAPE 2 IN.
- TUNER**Connect your TUNER to the TUNER sockets. If you want to connect a DSR (Digital Satellite Radio) TUNER, connect it to the AUX sockets.

Power supply connection

- Only connect the unit to a 230V~, 50/60 Hz a.c. power source.
- Always ensure that the voltage indicated on the unit's backside agrees with you local power supply. If this is not the case, consult your dealer or customer service center.

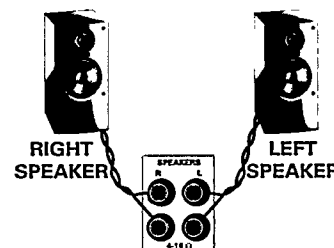
Connecting the speakers

In order to take full advantage of your unit's superior play-back quality and overall performance, only quality speakers with corresponding load ratings should be used. Speakers should thus have an impedance of 4 to 16Ω. Maximum amplifier output is achieved with 4Ω speakers.

In addition, always make sure that speaker wires are properly and tightly twisted to avoid protruding individual wires. These can cause shorts.

Important:

In addition, proper speaker connection is also important for quality sound. As seen from the listener, the right speaker must be connected to the right terminal (right channel) and the left speaker to the left terminal (left channel).



- One of the wires of a loudspeaker cable is marked, e.g. with a colour or rib. Connect the marked wire to the red terminal, the non-marked wire to the black one.
- Make sure that all loudspeakers are connected in the same way.

RC-bus line connection

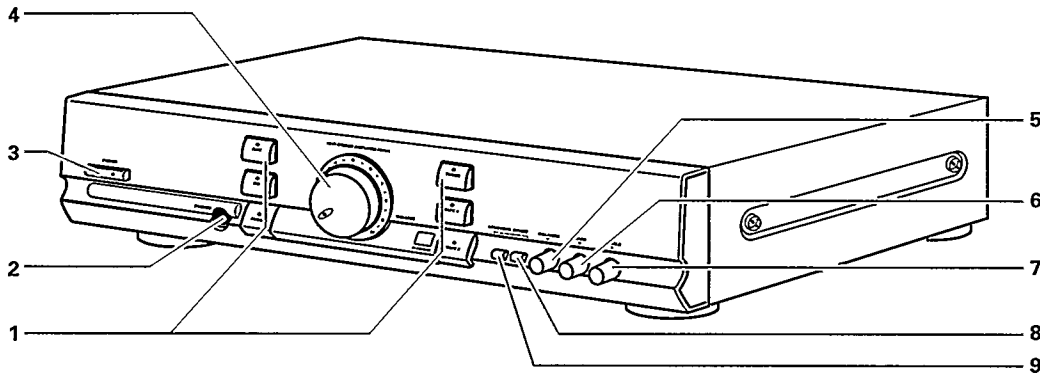
If you would like to remotely control other units of this series (for example, tuner, CD player), these units must be connected by means of the RC-BUS connection.

- Connect the cinch cable (orange jack) to the RC-BUS socket.

A.C. outlets

Up to three further units can be switched on and off via the amplifier. The power supply cables of the units must be connected to the A.C. outlets of the amplifier. These AC outlets are originally intended for the connection of a tuner, CD player and cassette deck, but you can also connect other units in your system.

- When other units are connected to the AC outlets, please make sure that the total sum of the power consumption of the connected units does not exceed 100 W, otherwise defects may occur.
- Do not connect a TV receiver to any of the AC outlets of the units in your system.
- To use this capability, ensure that the power switches of the connected units are switched to the ON position. The amplifier's power switch can then be used as the main switch for all the units.



Front of the amplifier

1 SOURCE SELECTION:

- AUX**.....This switch is used to select the AUX (auxiliary) input.
- CD**This switch is used for selecting the CD (Compact Disc) input.
- PHONO**.....This switch is used to select the PHONO input.
- TUNER**.....This switch is used to select the TUNER (radio) input.
- TAPE 1**.....This switch is used to select the TAPE 1 (cassette deck) input.
- TAPE 2**.....This switch is used to select the TAPE 2 (cassette deck) input.

2 PHONES.....This socket is for connecting standard stereo headphones with a 6.3 mm jack. Volume is adjusted with the rotary VOLUME knob.

The amplifier's speaker outputs are automatically switched off when the headphone jack is inserted, and are automatically switched on again when it is removed.

3 POWER.....This button is used for switching the amplifier on and off. When the power is switched off, the set is separated from the mains supply. (no power consumption).

4 VOLUME.....This control is used for adjusting the volume.

5 BALANCE.....This control is used to adjust the sound balance between the left and right channels.

6 BASS.....This is to adjust the bass tones.

7 TREBLE.....This is to adjust the high tones.

8 DIRECT ON/OFF.....This switch is used to bypass the BASS and TREBLE controls.

9 LOUDNESS ON/OFF.....This switch is used during playback to adapt the volume level to individual hearing sensitivity.

Remote Control

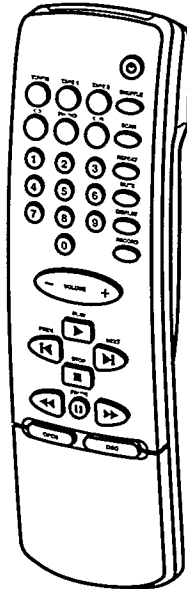
Changing the batteries

If the range of your infrared remote control seems to decrease, or if certain individual functions can no longer be carried out, you should replace the batteries.

Two mignon 1.5 Volt LR03 size AAA are required.

- To change the batteries, open the compartment on the back of the remote control. Ensure that the batteries are inserted properly (note the markings in the compartment).

And in the interest of the environment: Remember that batteries must always be disposed of properly.



⓪ – This button is used to switch the unit to STAND BY.

TUNER, TAPE 1, TAPE 2, CD, PHONO, DSR input selection buttons – These buttons are used for selecting the various programme sources and for switching the unit on from STAND BY.

10-button keypad for directly selecting stations (TUNER, DSR) or tracks (CD).

MUTE – This button is used for muting the speakers.

DISPLAY – This button is used to toggle the display modes of the active source.

VOLUME +/- – These buttons are used for controlling the volume of the amplifier.

TUNER buttons (◀, ▶, ◀◀, ▶▶) – These buttons are used for controlling the basic functions of a connected PHILIPS tuner.

CD control buttons (▶, ■, ▶◀, ▶▶, II, ◀◀, ▶▶, SHUFFLE, SCAN, REPEAT, OPEN, DISC) – These buttons are used for controlling the basic functions of a connected PHILIPS CD player.

TAPE control buttons (▶, ■, II, ◀◀, ▶▶, RECORD) – These buttons are used for controlling the basic functions of a connected PHILIPS cassette deck.

Switching on and off

- When you want to switch your amplifier on, press the **POWER** button. The LED in the middle of the button indicates that the unit is on.
button depressed: POWER ON
button not depressed: POWER OFF
 - The unit will be activated and the source **TUNER** will be selected.
 - When the amplifier is switched to active mode (as described below), the respective indicators and the LED in the power knob light up.
 - The amplifier is muted for approximately 3 seconds when it is turned on in order to suppress disturbing initial signal noise.
 - The units connected to the AC outputs are also provided with power when the amplifier is turned on.
- To switch off the amplifier press the **POWER** button again.
 - When you switch the amplifier off with **POWER**, all auxiliary units which are connected to the amplifier via the AC outlets are disconnected from the power supply.

Stand By

- You can switch the system to **STAND BY** with the ϕ button on the remote control.
 - This also disconnects any units connected to the a.c. outputs from the power supply. Active **STAND BY** mode is indicated by the LED in the middle of the power button.
- When you want to switch your system on again, simply press one of the input selection buttons on the unit or on the remote control.

Important: In order to reduce unnecessary consumption of electricity, do not use the **STAND BY** mode for longer periods of time.

Source Selection

- To select a listening source, press either the corresponding button on the unit or the corresponding button on the remote control.
 - The LED next to the respective button on the amplifier comes on.

Sound control

VOLUME

- The volume can be adjusted with the rotary **VOLUME** knob. The volume can also be controlled via the remote control with the **VOLUME +/-** buttons.
 - An illuminated dot in the **VOLUME** knob indicates the respective adjustment position.

MUTE

- The volume can be completely muted by pressing the **MUTE** button on the remote control. This is useful, for example, if you want to take a telephone call and do not want to be distracted by music, news, etc., from your system. If the muting function is used when recording a tape, this has no effect on the subsequent recording volume level as only the speakers are muted.
 - The click you hear when you press the **MUTE** button comes from the relay which mutes the speakers.
 - The LED in the volume knob blinks when the **MUTE** function is active.
- The **MUTE** function can be deactivated by pressing the **MUTE** button again or by pressing the **VOLUME +** button on the remote control or any one of the input selection buttons.

BASS, TREBLE

- The **BASS** and **TREBLE** controllers can be used to individually adjust the higher and lower frequencies from the sound of your speakers. In this way, you can compensate for surrounding acoustic irregularities which may be caused, for example, by sound reflection behaviour on walls with relatively large, empty surface areas, or "damping" caused by furniture or other objects.

LOUDNESS ON/OFF

- Pressing the **LOUDNESS ON/OFF** button slightly accentuates the lower and higher frequencies which renders a more balanced overall sound during quieter passages. Its effectiveness depends in turn on the setting of the volume knob. The sound is thus optimally adapted to human hearing sensitivity, which is also dependent on the respective volume.
- If you have connected speakers which exhibit a great deal of bass, **LOUDNESS ON/OFF** should always remain off to achieve a more linear acoustic pattern. In this way, you compensate for excessive emphasis of the lower frequencies.

DIRECT ON/OFF

- The **DIRECT ON/OFF** switch can be used to deactivate the bass and treble control without changing the respective settings. This function merely bypasses the signal path through the bass and treble controls ensuring that the original sound is reproduced with the highest fidelity.

BALANCE

- For effective stereo playback, it is important that the sound emanates equally from both speakers. Acoustic equilibrium can be distorted by furniture groups or the listener's position in a room, thus distorting the impression of stereo sound.

The **BALANCE** controller can compensate for such distortions.

Protection circuits

Your amplifier is provided with series of electrical protection devices which reliably safeguard your speakers against damage. Overloads are thus almost instantly checked.

If your unit overheats, a thermal error is recognized. In this case, the LED in the VOLUME controller quickly blinks, the volume level is automatically reduced and the speakers are disconnected.

- 1 In case this happens, you should switch off the unit and remove all objects that may cover the ventilation slots on the top cover of the unit.
- 2 Let the unit cool down for a few minutes before switching it on again.

Caring for the unit

Wipe the housing clean with a soft, dry and antistatic cloth. Polishing and cleaning agents can damage the surface of the housing.

Environmental information

All redundant packing material has been omitted. We have done our utmost to make the packaging easy separable into three mono materials: cardboard (box), polystyrene foam (buffer) and polyethylene (bags, protective foam sheet).

Your set consists of material which can be recycled if disassembled by a specialized company. Please observe the local regulations regarding the disposal of packing materials, exhausted batteries and old equipment.

This set complies with the radio interference requirements of the European Union.

Technical data

Output power (DIN45500):

Music (4 Ω)	2 x 100 W
Nominal (4 Ω, 0.7% dist., 1 kHz).....	2 x 50 W
Nominal (8 Ω, 0.7% dist., 1 kHz).....	2 x 40 W

Input sensitivity / impedance:

Line IN.....	180 mV / 47 kΩ
Phono MM	1.8 mV / 47 kΩ

Distortion:

Nominal power -1dB, 8 Ω, 1 kHz	≤ 0.01 %
--------------------------------------	----------

Signal-to-noise ratio.....≥ 94 dB

Power bandwidth

Frequency response

Line IN.....	<5 Hz ... >100000 Hz
Phono MM	20 ... 30000 Hz

Stereo Crosstalk

1 kHz	> 60 dB
-------------	---------

Damping factor (8 Ω, 1 kHz)

Power supply:

Voltage.....	230 V ~
Frequency	50/60 Hz
Power consumption.....	< 230 W
Standby power consumption	12 W

Dimensions

W x H x D.....	435 x 75 (+12) x 300 mm
----------------	-------------------------

Approvals.....VDE

Extras:

Instructions For Use
Ident card
System remote control transmitter
2 x 1,5 VC micro batteries type LR03, AAA

All rights reserved

TROUBLE SHOOTING

English

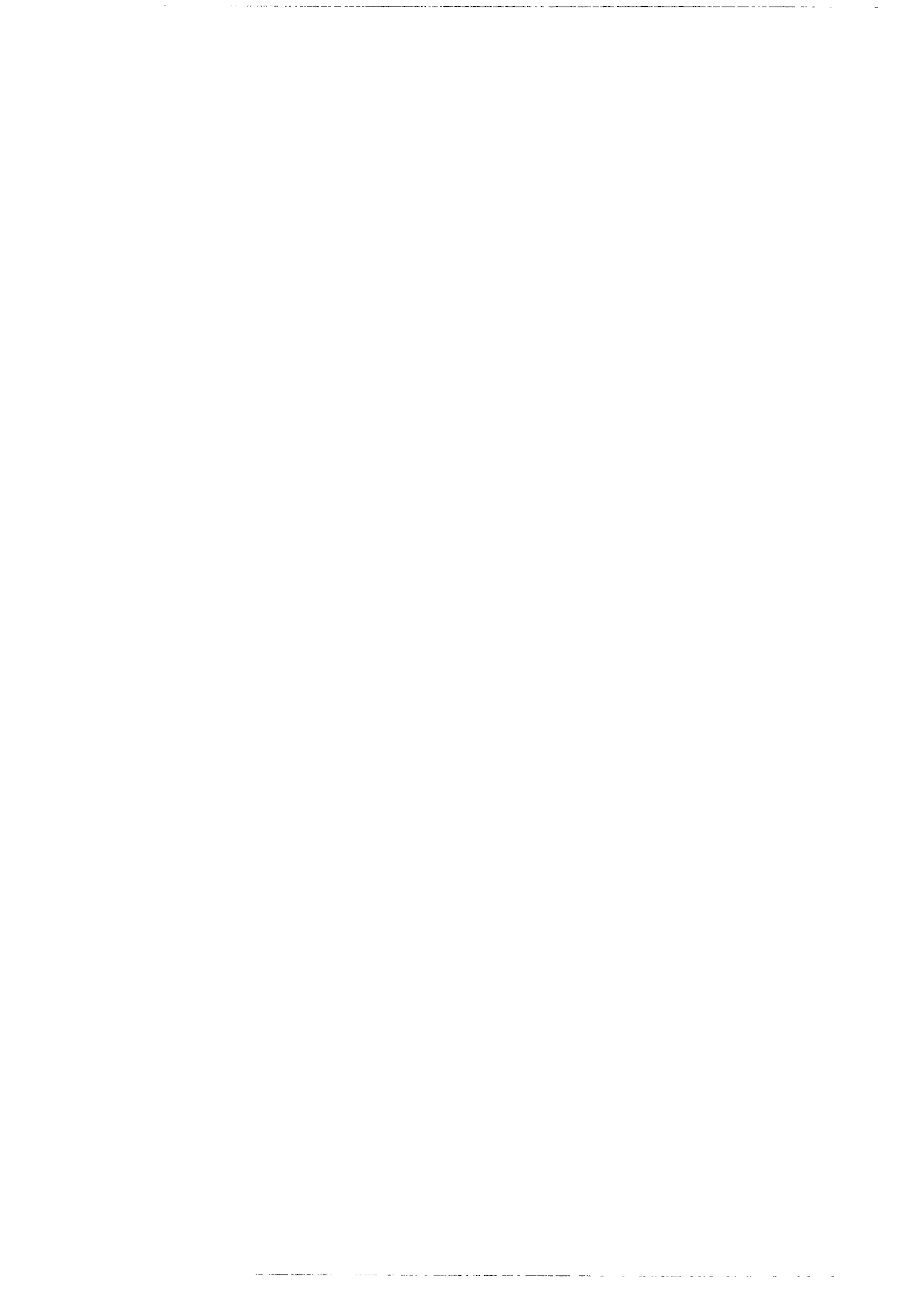
Trouble shooting

The following checklist will help you to correct most of the problems that can occur with your unit. If the following list does not help, please consult your HiFi dealer.

Before you go through the following list, verify the following points:

- ☞ The mains cable must be securely connected.
- ☞ The speaker connections must also be secure.

Problem	Cause (and correction)
The amplifier switches off.	The transformer could be overheated. <ul style="list-style-type: none">• Switch off the unit and remove all objects that may cover the ventilation slots on the top cover of the unit. Let the unit cool down for approx. 15 minutes before switching it on again.
No sound, the LED in the VOLUME knob quickly blinks.	Your unit is overheated., the volume level is automatically reduced and the speakers are disconnected. <ul style="list-style-type: none">• Switch off the unit and remove all objects that may cover the ventilation slots on the top cover of the unit. Let the unit cool down for a few minutes before switching it on again.
The unit does not function.	If the unit 'hangs' and you get no response whatsoever, this could be due to electrostatic discharge phenomena. <ul style="list-style-type: none">• Switch the unit OFF with the POWER button, and then on again, or pull the plug from the mains socket and re-insert.
No sound.	<ul style="list-style-type: none">• Turn the VOLUME controller to the right.• If headphones are connected, disconnect them.• Ensure that speakers are properly connected.• Make sure that the MUTE function is not switched on (MUTE button on the remote control).
No sound from one speaker or incorrect balance between left and right speaker.	<ul style="list-style-type: none">• Check connection of faulty speaker.
Left and right channels interchanged.	<ul style="list-style-type: none">• Check speaker connections /cable set up.
No bass, or apparent incorrect placement of instruments.	<ul style="list-style-type: none">• Check speaker connections for correct cable polarity.
The remote control does not work.	<ul style="list-style-type: none">• Replace the batteries.• Too far away from the unit, or pointed at an excessive angle.• Check the RC-BUS connections (orange marked plugs and sockets)



Meet Philips at the Internet

<http://www.philips.com>

English

Français

Español

Deutsch

Nederlands

Italiano

Svenska

Dansk

Suomi

Português

